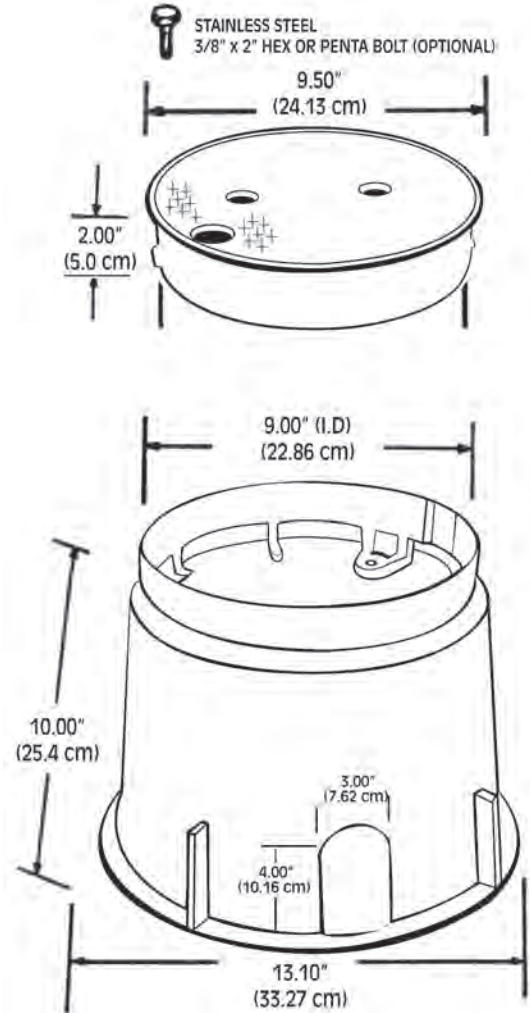


SERIES 910L (10" ROUND) GREEN

| | | | |
|-----------------|-----------|-----------|---------|
| ■ 90 PER PALLET | | | |
| ■ BODY & COVER | 910L-1G2G | 4.00 LBS. | 1.81 KG |
| ■ BODY | 910L-1G | 2.75 LBS. | 1.24 KG |
| ■ COVER | 910L-2G | 1.25 LBS. | 57 KG |



SPECIAL FEATURES

- TWIST LOCK COVER
- STRONGER LOAD STRENGTH
- UV INHIBITORS TO PREVENT DISCOLORATION & CRACKING
- MOLDED IN NYLON NUT FOR BOLT
- HEAVY DUTY CONSTRUCTION

OTHER STOCK COLORS AVAILABLE

- TAN
- BLACK
- GRAY
- LAVENDER

STANDARD MARKINGS AVAILABLE (IRRIGATION CONTROL • CATV • WATER • SEWER • TELEPHONE • ELECTRIC • BLANK • RECLAIMED WATER)