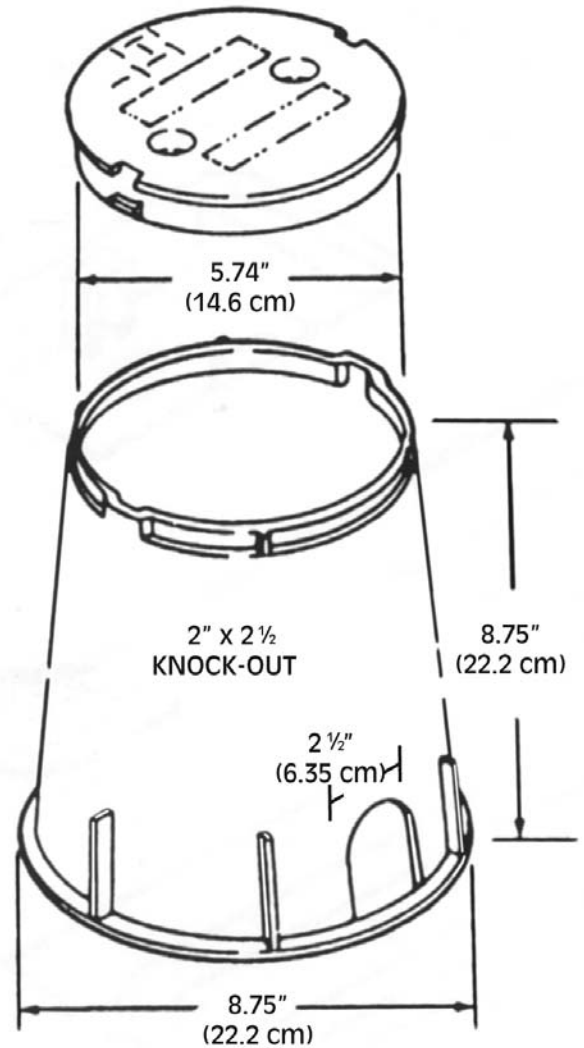


SERIES 610 (6" ROUND) BLACK

■ 256 PER PALLET				
■ BODY & COVER	610-1B2B	1.32 LBS.	.60 KG	
■ BODY	610-1B	1.07 LBS.	.49 KG	
■ COVER	610-2B	.25 LBS.	.11 KG	



SPECIAL FEATURES

- TWIST LOCK COVER
- STRONGER LOAD STRENGTH
- UV INHIBITORS TO PREVENT DISCOLORATION & CRACKING

STANDARD MARKINGS AVAILABLE (BLANK)