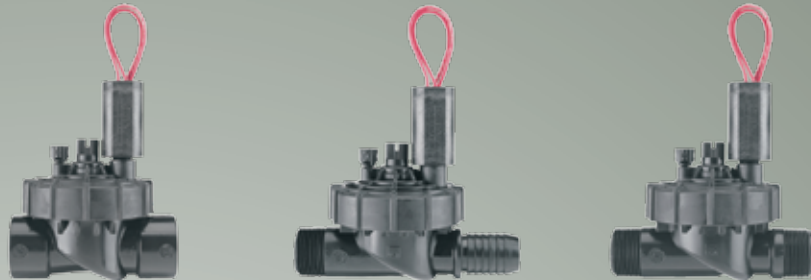


PGV Jar-Top

Hunter®

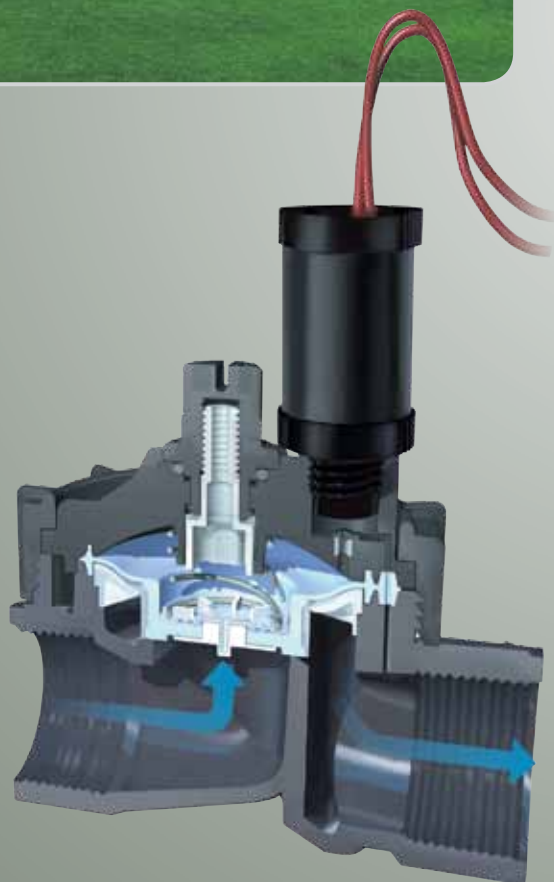


Maximum convenience, reliability, and ease of service in a residential valve.

Now it's possible to service a Hunter valve without using any tools to gain access to the inner workings of the valve. Maintenance has never been easier! And with this simplicity, you don't give up any quality or performance as these valves boast more than enough features to handle the demands of whatever your site has to offer. Choose from a wide range of different configurations to suit your style of installation. All models feature durable, high-grade, corrosive- and UV-resistant PVC construction and a rugged double-beaded, leak-proof diaphragm with support to prevent stress failure. Plus, you'll find a fully-encapsulated solenoid that guarantees reliable operation time after time.

Features & Benefits

- **Jar-Top bonnet** Intuitive design makes it easy to access the valve; no tools necessary
- **Flow control option** Adjusts the flow of each zone on a system to deliver optimum nozzle performance
- **Fully-encapsulated Hunter solenoid** Provides dependable operation and long life
- **Rigid diaphragm support** Works to prevent stress failure in tough conditions
- **High grade construction** Made of durable materials and stainless steel to resist wear
- **Common parts to other Hunter valves** Diaphragm is interchangeable with PGV, SRV, and ASV series 1" valves; solenoid fits all Hunter plastic valves
- **Internal and external manual bleed** Two options for manual operation



All it takes is a simple twist of the wrist to unscrew the top of the valve, making PGV Jar-Top the industry's fastest valve to service.

PGV Jar-Top Valve

Models

- PGV-100JT-G – 1" plastic globe valve, Jar-Top Bonnet, no flow control
- PGV-101JT-G – 1" plastic globe valve, Jar-Top Bonnet, with flow control
- PGV-100JT-GS – 1" plastic globe valve, Jar-Top Bonnet, no flow control, female slip
- PGV-101JT-GS – 1" plastic globe valve, Jar-Top Bonnet, with flow control, female slip
- PGV-100JT-MB – 1" plastic globe valve, Jar-Top Bonnet, no flow control, male thread x barb
- PGV-101JT-MB – 1" plastic globe valve, Jar-Top Bonnet, with flow control, male thread x barb
- PGV-100JT-MB125 – 1" plastic globe valve, Jar-Top Bonnet, no flow control, 1" male thread x 1¼" barb
- PGV-101JT-MB125 – 1" plastic globe valve, Jar-Top Bonnet, with flow control, 1" male thread x 1¼" barb
- PGV-100JT-MM – 1" plastic globe valve, Jar-Top Bonnet, no flow control, male x male thread
- PGV-101JT-MM – 1" plastic globe valve, Jar-Top Bonnet, with flow control, male x male thread
- PGV-100JT-MB075 – 1" plastic globe valve, Jar-Top Bonnet, no flow control, 1" male thread x ¾" barb
- PGV-101JT-MB075 – 1" plastic globe valve, Jar-Top Bonnet, with flow control, 1" male thread x ¾" barb

Dimensions

- 1" Globe: 5½" H x 4¾" L x 3¼" W
- 1" Male x Male: 5½" H x 5¼" L x 3¼" W
- 1" Male x Barb: 5½" H x 5⅞" L x 3¼" W

Operating Specifications

- Flow: 0.2 to 30 GPM (0.04 to 6.81 m³/hr; 0.7 to 113.5 l/min)
- Pressure: 20 to 150 PSI (1.4 to 10.3 bars; 138 to 1034 kPa)
- Heavy-duty solenoid: 24 VAC, 370 mA inrush current, 190 mA holding current, 60 cycles; 475 mA inrush current, 230 mA holding current, 50 cycles

Options Available

- Reclaimed water identification handle for flow control models only (part # 269205)
- DC latching solenoid (part # 458200)
- Solenoid conduit cover (part # 464322)

A Complete Line-up of Choices

No matter what method of installation you prefer, the PGV Jar-Top offers a model to match your particular requirements:



Threaded

1" threaded inlet and outlet.



Slip

For direct, solvent weld connections to PVC pipe.



Male x Barb

Specifically designed for use with polyethylene piping systems. Requires fewer fittings and allows faster installation. Choice of ¾", 1", or 1¼" barb outlets for compatibility with different systems.



Male x Male

Designed for use with "union style" manifold tees for quick installation.

SPECIFICATIONBUILDER

PGV Jar-Top Pressure Loss in PSI

GPM	1"
1	1.1
5	1.9
10	1.9
15	1.6
20	3.3
30	6.1

Charts based on full-open flow control position.

MODEL	FEATURES	OPTIONS FACTORY INSTALLED	OPTIONS USER INSTALLED
PGV	100JT = 1" Globe Jar-Top Valve, no Flow Control 101JT = 1" Globe Jar-Top Valve, with Flow Control	G = NPT Threads S = Slip x Slip B = BSP Threads MM = Male x Male (NPT) MMB = Male x Male (BSP) MB = Male x 1" Barb MB075 = Male x ¾" Barb MB125 = Male x 1¼" Barb LS = Less Solenoid (Only available on 101JT, 100JT, 101JT, 100JT)	R = Reclaimed Water Identification Handle DC = DC Latching Solenoid CC = Solenoid Conduit Cover
▶ PGV	▶ 101JT	▶ G	▶ R (or leave blank)

EXAMPLE

▶ PGV - 101JT - G - R